

Attachment Illustrated Parts List

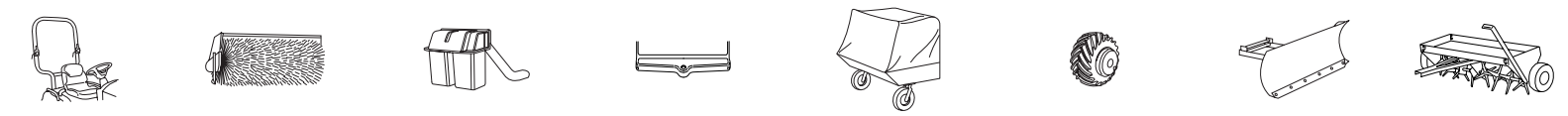


AGCO ALLIS

Simplicity
MANUFACTURING, INC.

500 N Spring Street / PO Box 997
Port Washington, WI 53074-0997 USA
© Copyright 2000 Simplicity Manufacturing, Inc. All Rights Reserved.

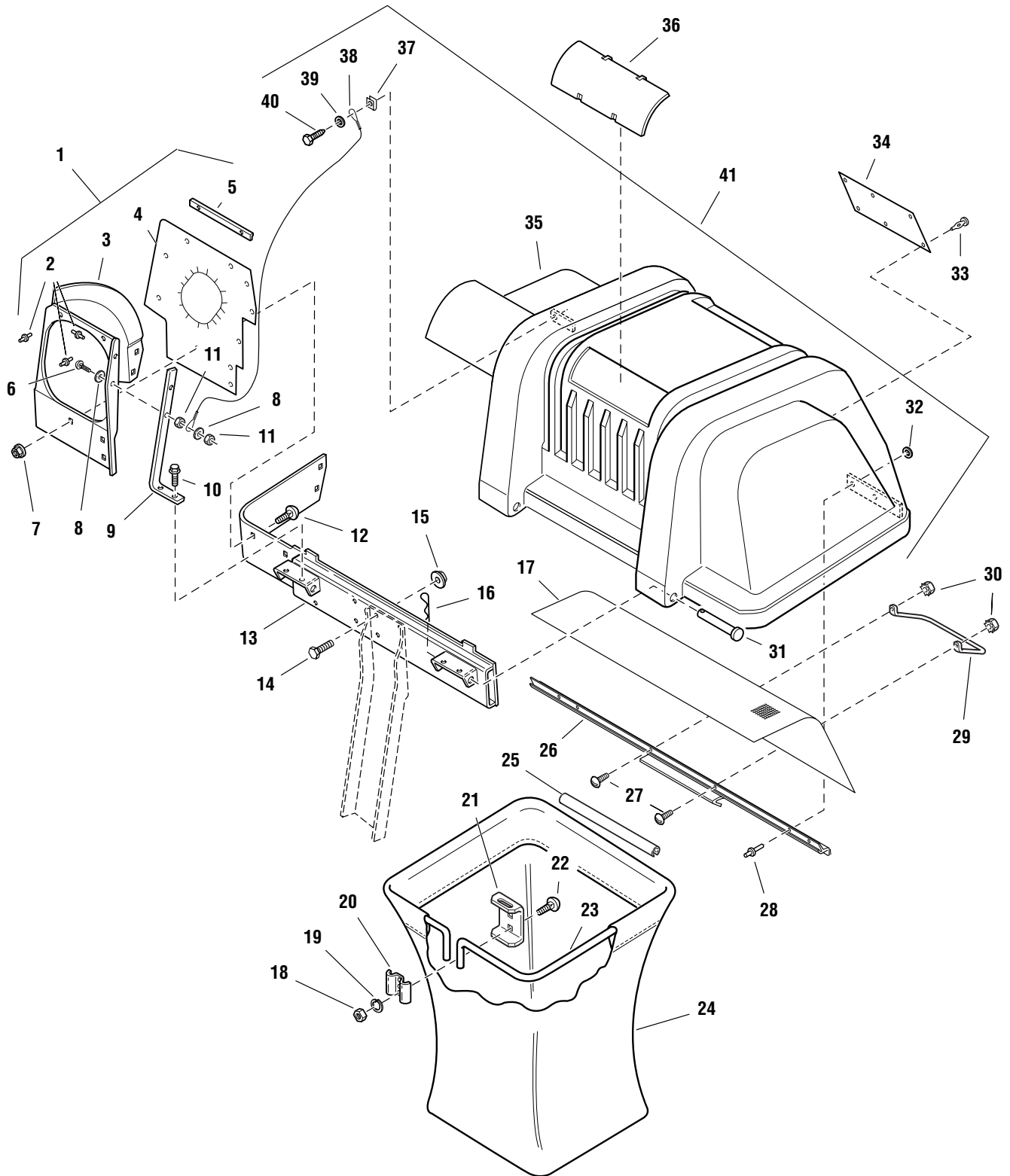
Rev. 10/2000
TP 400-2439-00-AT-SMA



Turbo Clean Sweep Twin Catcher - Cover & Bag Group

983952

NOTE: Unless noted otherwise,
use the standard hardware torque
specification chart.



The above parts group applies to the following Mfg. Nos.:

1691793 Turbo Clean Sweep Twin Catcher

Turbo Clean Sweep Twin Catcher - Cover & Bag Group

REF NO.	PART NO.	QTY.	DESCRIPTION
1	1704615	1	TUBE ASSEMBLY Support (Incl. Ref. Nos. 2, 3, 4, 5, 6, 8, 9 & 11)
2	1960381	7	RIVET, Pop
3	1704075	1	SUPPORT, Tube
4	1704135	1	SEAL, Cover
5	1704508	3	BRACKET, Seal
6	1960399	1	SCREW, Round Head, #8-32 x 7/8
7	1930642	5	LOCKNUT, Flange, 1/4-20
8	1960096	2	WASHER
9	1704507	1	STRAP, Tube Support
10	1927428	2	SCREW, Taptite, 1/4-20 x 3/8
11	1960077	2	NUT, Hex, Lock, #8-32
12	1960252	5	CARRIAGE BOLT, 1/4-20 x 5/8
13	1703822	1	CROSS ASSEMBLY.
14	1921966	4	CAPSCREW, Hex Head, 3/8-16 x 7/8
15	1928352	4	NUT, Hex, Whizlock, 3/8-16
16	1960221	2	CLIP, Hairpin
17	1703700	1	SCREEN
18	1917372	4	NUT, Hex, 5/16-18
19	1917356	4	LOCKWASHER, 5/16
20	1672023	2	CLAMP
21	1703807	2	HANGER
22	1931333	4	CARRIAGE BOLT, 5/16-18 x 3/4
23	1703855	2	HOOP, Bag
24	1703764	2	BAG, Grass
25	1675707	2	TUBE CLIP, Grass Bag
26	1704057	1	SEAL, Clip
27	1930531	2	SCREW, Truss Head, #10-32 x 1/2
28	1675043	4	RIVET, Pop
29	1703853	1	HANDLE, Latch
30	1928919	2	NUT, Hex, #10-32
31	960367	2	PIN, Round Head
32	1910531	4	WASHER
33	1667248	6	CLIP, Canoe
34	1704405	1	DECAL, Safety
35	1704033	1	COVER
36	1704180	2	WINDOW
37	1933886	1	NUT, Speed
38	1705876	1	CABLE, Double Loop
39	1921319	1	WASHER, 1/4
40	1960400	1	SCREW, Self-tapping, #10-12 x 5/8
41	1704056	1	COVER ASSEMBLY (Incl. Ref. Nos. 17, 26, 28, 32, 37, 38, 39 & 40)

Footnotes:

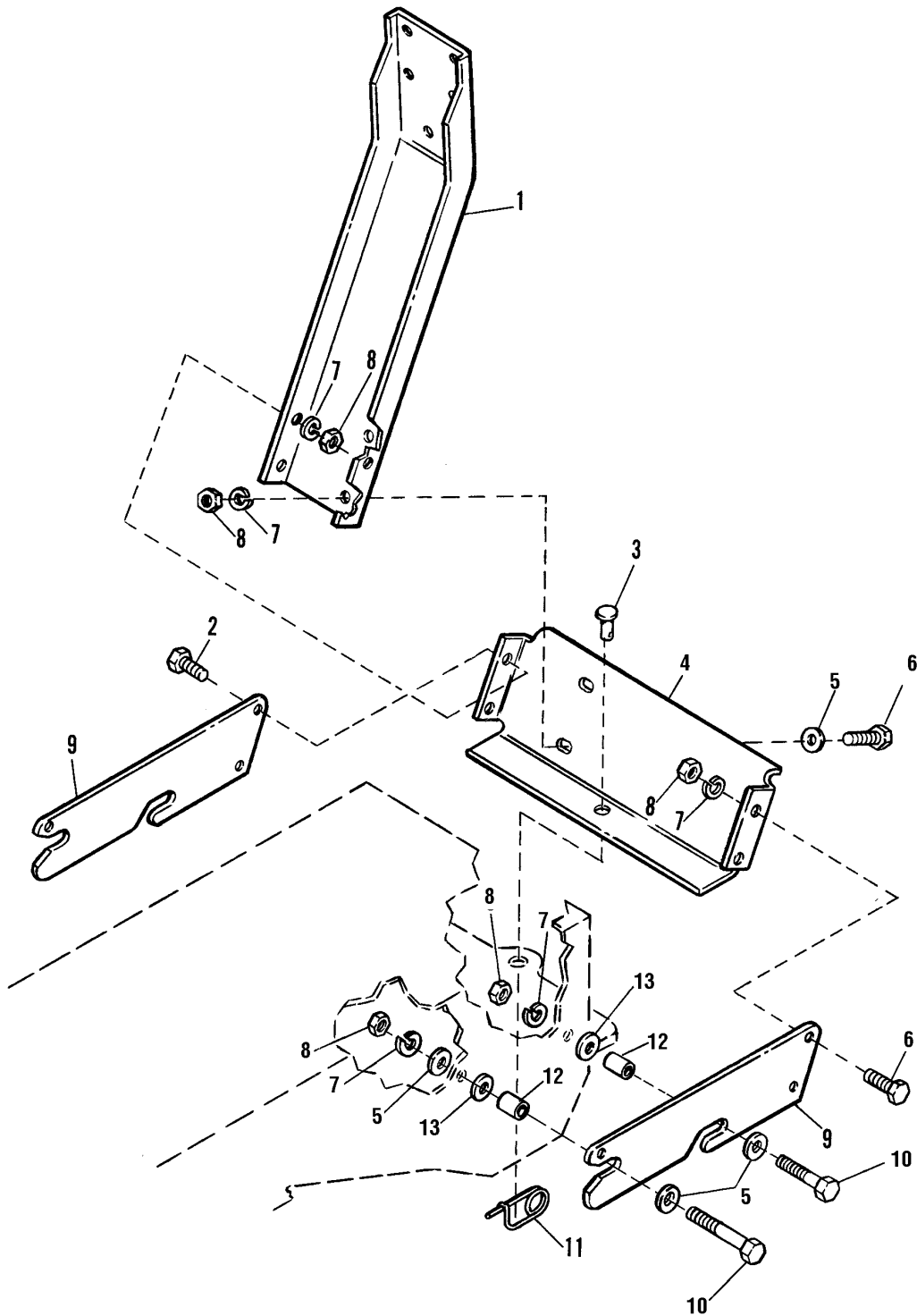
The above parts group applies to the following Mfg. Nos.:

1691793 Turbo Clean Sweep Twin Catcher

Turbo Clean Sweep Twin Catcher - Hitch Group

984011

NOTE: Unless noted otherwise,
use the standard hardware torque
specification chart.



The above parts group applies to the following Mfg. Nos.:

1691793 Turbo Clean Sweep Twin Catcher

Turbo Clean Sweep Twin Catcher - Hitch Group

REF NO.	PART NO.	QTY.	DESCRIPTION
1	1703745	1	SUPPORT, Upright
2	1920415	2	CAPSCREW, Hex Head, 3/8-16 x 1-1/4
3	102004	1	PIN, Round Head
4	1703744	1	BRACKET, Lower Hitch
5	1924940	8	WASHER
6	1921210	4	CAPSCREW, Hex Head, 3/8-16 x 1
7	1916965	10	LOCKWASHER, Spring, 3/8
8	1916950	10	NUT, Hex, 318-16
9	1703743	2	SUPPORT, Side Hitch
10	1921971	4	CAPSCREW, Hex Head, 3/8-16 x 1-3/4
11	176012	1	CLIP, Safety Pin
12	1665699	4	SPACER
13	1919384	4	WASHER

Footnotes:

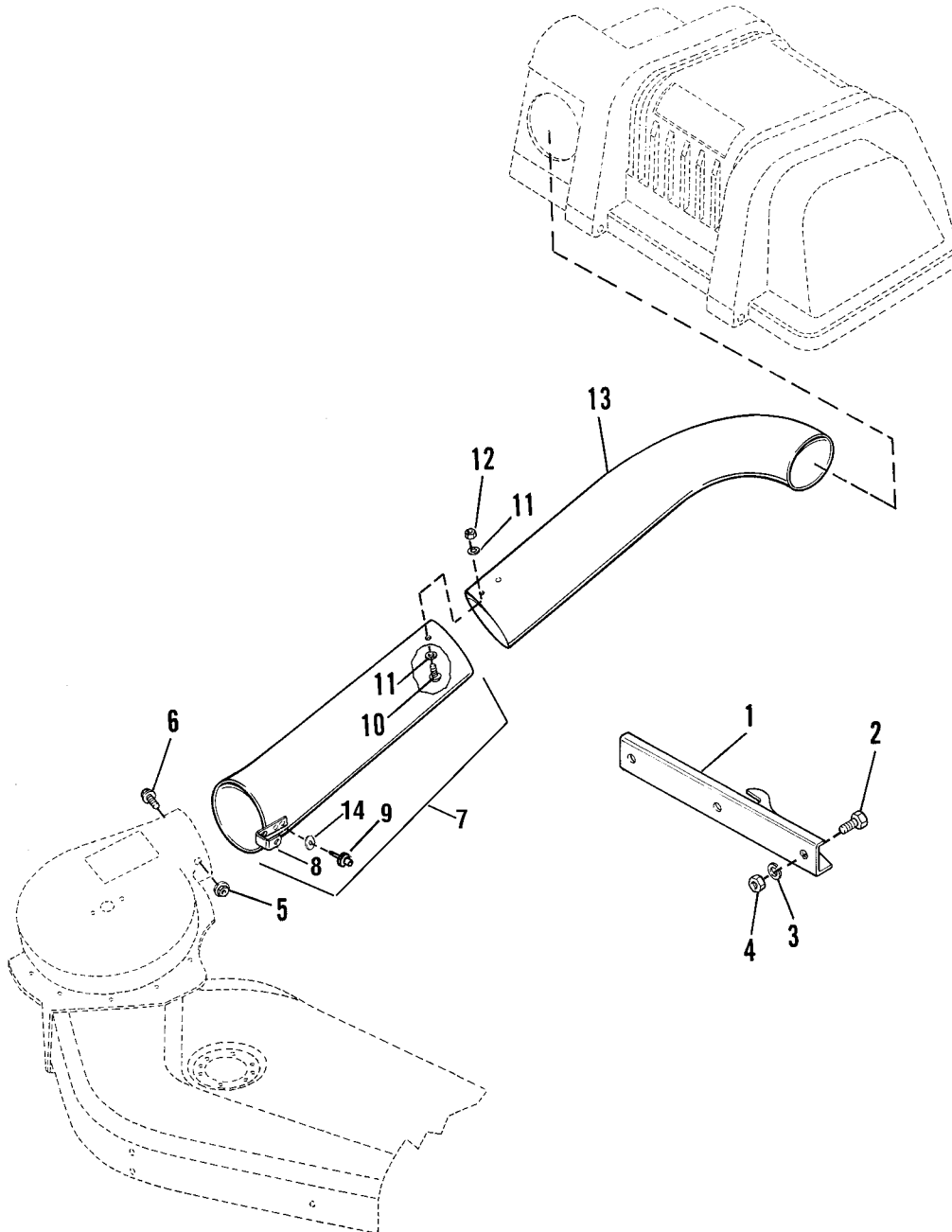
The above parts group applies to the following Mfg. Nos.:

1691793 Turbo Clean Sweep Twin Catcher

Turbo Clean Sweep Twin Catcher - Adapter, Blade & Tube Group

984018

NOTE: Unless noted otherwise,
use the standard hardware torque
specification chart.



The above parts group applies to the following Mfg. Nos.:

1691793 Turbo Clean Sweep Twin Catcher

Turbo Clean Sweep Twin Catcher - Adapter, Blade & Tube Group

REF NO.	PART NO.	QTY.	DESCRIPTION
1	1669193	1	SUPPORT
2	1921210	3	CAPSCREW, Hex Head, 3/8-16 x 1
3	1916965	3	LOCKWASHER, 3/8
4	1916950	3	NUT, Hex, 3/8-16
5	1930641	1	NUT, Hex Flange Lock, 1/4-20
6	1960252	1	CARRIAGE BOLT, 1/4-20 x 5/8
7	1705111	1	TUBE ASSEMBLY, Lower (Inc. Ref. Nos. 8, 9, & 14)
8	1705063	1	CLIP, Spring
9	910542	2	RIVET
10	1930531	2	SCREW, Truss Head, #10-32 x 1/2
11	1910531	4	WASHER, #10
12	1928919	2	NUT, Hex, Washer Assembly, #10-32
13	1704283	1	TUBE, Upper
14	1910531	2	WASHER

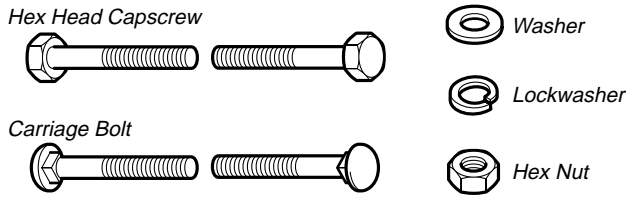
Footnotes:

The above parts group applies to the following Mfg. Nos.:

1691793 Turbo Clean Sweep Twin Catcher

Hardware Identification & Torque Specifications

Common Hardware Types

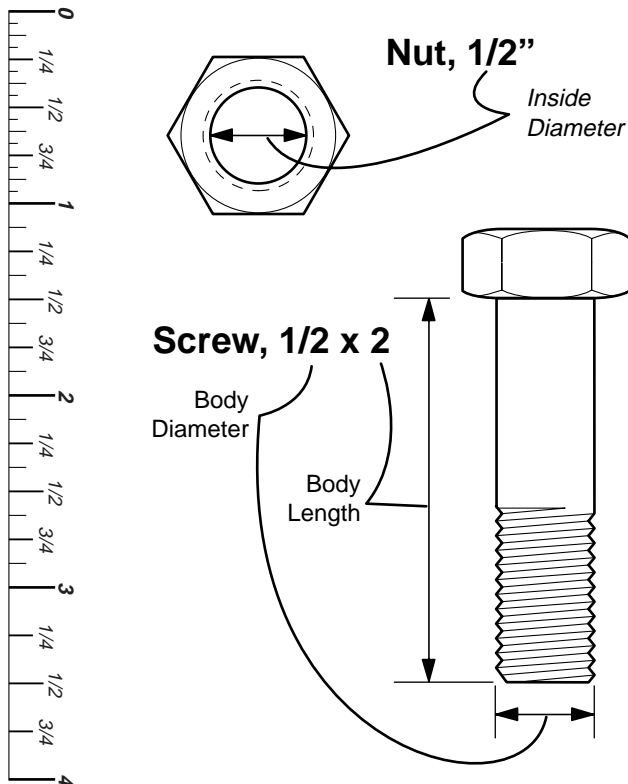


Standard Hardware Sizing

When a washer or nut is identified as **1/2"**, this is the *Nominal size*, meaning the *inside diameter* is 1/2 inch; if a second number is present it represent the *threads per inch*

When bolt or capscrew is identified as **1/2 - 16 x 2"**, this means the *Nominal size*, or *body diameter* is 1/2 inch; the second number represents the *threads per inch* (16 in this example, and the final number is the *body length* of the bolt or screw (in this example 2 inches long).

The guides and ruler furnished below are designed to help you select the appropriate hardware and tools.



Torque Specification Chart

FOR STANDARD MACHINE HARDWARE (Tolerance ± 20%)

Hardware Grade	No Marks		SAE Grade 2		SAE Grade 5		SAE Grade 8	
	in/lbs ft/lbs	Nm.	in/lbs ft/lbs	Nm.	in/lbs ft/lbs	Nm.	in/lbs ft/lbs	Nm.
8-32	19	2.1	30	3.4	41	4.6		
8-36	20	2.3	31	3.5	43	4.9		
10-24	27	3.1	43	4.9	60	6.8		
10-32	31	3.5	49	5.5	68	7.7		
1/4-20	66	7.6	8	10.9	12	16.3		
1/4-28	76	8.6	10	13.6	14	19.0		
5/16-18	11	15.0	17	23.1	25	34.0		
5/16-24	12	16.3	19	25.8	27	34.0		
3/8-16	20	27.2	30	40.8	45	61.2		
3/8-24	23	31.3	35	47.6	50	68.0		
7/16-14	30	40.8	50	68.0	70	95.2		
7/16-20	35	47.6	55	74.8	80	108.8		
1/2-13	50	68.0	75	102.0	110	149.6		
1/2-20	55	74.8	90	122.4	120	163.2		
9/16-12	65	88.4	110	149.6	150	204.0		
9/16-18	75	102.0	120	163.2	170	231.2		
5/8-11	90	122.4	150	204.0	220	299.2		
5/8-18	100	136	180	244.8	240	326.4		
3/4-10	160	217.6	260	353.6	386	525.0		
3/4-16	180	244.8	300	408.0	420	571.2		
7/8-9	140	190.4	400	544.0	600	816.0		
7/8-14	155	210.8	440	598.4	660	897.6		
1-8	220	299.2	580	788.8	900	1,244.0		
1-12	240	326.4	640	870.4	1,000	1,360.0		

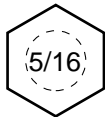
NOTES

- These torque values are to be used for all hardware excluding: locknuts, self-tapping screws, thread forming screws, sheet metal screws and socket head setscrews.
- Recommended seating torque values for locknuts:
 - for prevailing torque locknuts - use 65% of grade 5 torques.
 - for flange whizlock nuts and screws - use 135% of grade 5 torques.
- Unless otherwise noted on assembly drawings, all torque values must meet this specification.

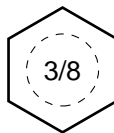
Wrench & Fastener Size Guide



1/4" Bolt or Nut
Wrench—7/16"



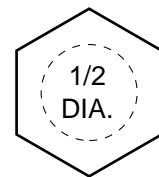
5/16" Bolt or Nut
Wrench—1/2"



3/8" Bolt or Nut
Wrench—9/16"



7/16" Bolt or Nut
Wrench (Bolt)—5/8"
Wrench (Nut)—11/16"



1/2" Bolt or Nut
Wrench—3/4"